



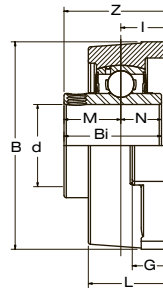
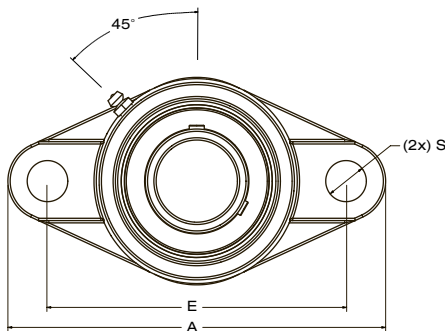
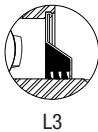
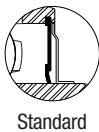
# UCFT 200 SERIES

Normal-Duty 2 Bolt Flange Block  
Eccentric Lock

# TURNER

Mounted Bearings

Available Seal Styles:



Bearing Number	Shaft Dia. d in. mm.	Dimensions in. mm.											Bolt Used in. mm.	Load Rating lbs. kN.		Bearing Insert	Housing Number	Weight lbs. kg.		
		A	E	I	G	L	S	B	Z	Bi	N	M		Dynamic C <sub>r</sub>	Static C <sub>0r</sub>					
UCFT 201	12																	UCW 201 UCW 201-8 UCW 202 UCW 202-10 UCW 203	WFT 203	0.9 0.4
UCFT 201-8	1/2	3.88	3.000	0.59	0.44	0.96	0.39	2.25	1.22	1.0787	0.3937	0.6260	5/16	2,147	1,075					
UCFT 202	15	99.0	76.2	15.0	11.0	24.5	10.0	57.0	31.0	27.4	10.0	15.9	M8	9.55	4.78					
UCFT 202-10	5/8																			
UCFT 203	17																			
UCFT 204-12	3/4	4.41	3.531	0.56	0.44	0.98	0.39	2.38	1.28	1.2205	0.5000	0.7205	5/16	2,883	1,496	UC 204-12 UC 204	FT 204	1.1 0.5		
UCFT 204	20	112.0	89.7	14.3	11.0	25.0	10.0	60.0	32.6	31.0	12.7	18.3	M8	12.82	6.65					
UCFT 205-14	7/8																UC 205-14 UC 205-15 UC 205 UC 205-16	FT 205	1.5 0.7	
UCFT 205-15	15/16	4.88	3.891	0.63	0.50	1.06	0.47	2.75	1.40	1.3425	0.5630	0.7795	3/8	3,155	1,810					
UCFT 205	25	124.0	98.8	15.9	13.0	27.0	12.0	70.0	35.6	34.1	14.3	19.8	M10	14.04	8.05					
UCFT 205-16	1																			
UCFT 206-17	1 1/16																			
UCFT 206-18	1 1/8	5.56	4.594	0.70	0.50	1.18	0.47	3.25	1.58	1.5000	0.6260	0.8740	3/8	4,377	2,569	UC 206-17 UC 206-18 UC 206 UC 206-19 UC 206-20	FT 206	2.0 0.9		
UCFT 206	30	141.0	116.7	17.9	13.0	30.0	12.0	83.0	40.1	38.1	15.9	22.2	M10	19.47	11.43					
UCFT 206-19	1 3/16																			
UCFT 206-20	1 1/4																			
UCFT 207-20	1 1/4																			
UCFT 207-21	1 5/16	6.13	5.125	0.75	0.56	1.34	0.51	3.75	1.75	1.6890	0.6890	1.0000	7/16	5,775	3,497	UC 207-20 UC 207-21 UC 207-22 UC 207 UC 207-23	FT 207	2.9 1.3		
UCFT 207-22	1 3/8	156.0	130.2	19.1	14.0	34.0	13.0	95.0	44.5	42.9	17.5	25.4	M12	25.69	15.56					
UCFT 207	35																			
UCFT 207-23	1 7/16																			
UCFT 208-24	1 1/2																			
UCFT 208-25	1 9/16	6.75	5.656	0.83	0.56	1.50	0.51	4.13	2.02	1.9370	0.7480	1.1890	7/16	6,634	4,079	UC 208-24 UC 208-25 UC 208	FT 208	3.3 1.5		
UCFT 208	40	171.0	143.7	21.0	14.0	38.0	13.0	105.0	51.2	49.2	19.0	30.2	M12	29.51	18.14					
UCFT 209-26	1 5/8																			
UCFT 209-27	1 11/16	7.04	5.844	0.86	0.56	1.56	0.59	4.38	2.05	1.9370	0.7480	1.1890	1/2	7,160	4,676	UC 209-26 UC 209-27 UC 209-28 UC 209	FT 209	3.7 1.7		
UCFT 209-28	1 3/4	179.0	148.4	21.8	14.0	40.0	15.0	111.0	52.0	49.2	19.0	30.2	M14	31.85	20.80					
UCFT 209	45																			
UCFT 210-30	1 7/8																			
UCFT 210-31	1 15/16	7.44	6.188	0.88	0.56	1.56	0.63	4.56	2.16	2.0315	0.7480	1.2835	1/2	7,867	5,330	UC 210-30 UC 210-31 UC 210 UC 210-32 UC 211-32	FT 210	5.1 2.3		
UCFT 210	50	189.0	157.2	22.2	14.0	40.0	16.0	116.0	54.8	51.6	19.0	32.6	M14	35.00	23.71					
UCFT 210-32	2																			
UCFT 211-32	2																			
UCFT 211-34	2 1/8	8.50	7.250	1.00	0.83	1.75	0.64	5.25	2.30	2.1890	0.8740	1.3150	9/16	9,743	6,608					
UCFT 211	55	216.0	184.2	25.4	21.0	44.0	16.3	133.0	58.5	55.6	22.2	33.4	M16	43.34	29.40	UC 211-34 UC 211 UC 211-35	FT 211	6.2 2.8		
UCFT 211-35	2 3/16																			
UCFT 212-36	2 1/4																			
UCFT 212	60	9.84	7.938	1.13	0.71	1.88	0.91	5.50	2.70	2.5630	1.0000	1.5630	3/4	10,720	7,516	UC 212-36 UC 212 UC 212-38 UC 212-39	FT 212	9.5 4.3		
UCFT 212-38	2 3/8	250.0	201.6	29.0	18.0	48.0	23.0	140.0	68.7	65.1	25.4	39.7	M20	47.69	33.43					
UCFT 212-39	2 7/16																			